


NOTE: METRIC DIMENSIONS ARE IN PARENTHESES AND ARE EXPRESSED IN MILLIMETERS

- 1.0 SCOPE: THIS DOCUMENT DETAILS THE REQUIREMENTS FOR LAMINATED MOUNTING SOCKETS.
- 2.0 MATERIAL:
- 2.1 TOP PLATE: MOLDED NYLON PER MIL-P-20693A
- 2.2 BASE: PHENOLIC PBE GRADE, COLOR: NATURAL
- 2.3 COLLECTOR PLATE: STEEL, ~~CAD PLATE~~ ZINC II PLATE PD
- 2.4 CONTACTS: .012 THICK BRASS. ~~CAD PLATE~~ ZINC II PLATE PD.
- 3.0 REQUIREMENTS:
- 3.1 SOLDERABILITY: SOLDERABLE PER EIA SOLDERABILITY SPEC RS-186-9E
- 4.0 PRECEDENCE:
- 4.1 IN THE EVENT OF CONFLICT, THE ORDER OF PRECEDENCE FOR RELATED DOCUMENTS SHALL BE AS FOLLOWS:
- A. THIS DOCUMENT
- B. OTHER SPECIFICATIONS
- 5.0 CONFIGURATION:
- 5.1 DIMENSIONAL REQUIREMENTS: SEE TABLE "A"
- 5.2 METRIC DIMENSIONS ARE IN PARENTHESES AND ARE EXPRESSED IN MILLIMETERS.
- 5.3 TOLERANCES ON NOTED DIMENSIONS TO BE $\pm .010$ (.25).

SEE SHEET 1

035075

SYM	REVISION RECORD	DATE	ECN	DRAWN	CHECKED
 Thermalloy[*] Inc.					SCALE
					NONE DO NOT SCALE
DRAWN S. JOHNSON		DATE 5-8-75	SIZE	MATERIAL	
CHECKED S. JOHNSON		DATE 5-8-75	A	SEE 2.0	
APPROVED		DATE	TYPE	CODE IDENT NO. 13103	
TOLERANCES		ORIGINATING ECM	SD	DRAWING NUMBER 11692 THRU 11695	
$\pm .015$ (.38) $\pm 1^\circ$ EXCEPT AS NOTED		2655	REV		J


SHEET 2 OF 5

TABLE "A"

THERMALLOY		(OLD) KEYSTONE P/N	EEI P/N	COLOR	FIGURE	CONFIGURATION
PART #	CAT. NO.					
11692	8114 LB603	4602	1001-2	BLUE	1	TO-3 DIAMOND 035075
11693	8116 LB603	4608	1004-2	NATURAL	2	TO-3 SQUARE
11694	8115 LB666	4612	1011-2-A	GREEN	3	TO-66 DIAMOND
11695	8117 LB 466	4625	1012-1	RED	4	TO-66 SQUARE

SEE SHEET 1

035075

SYM	REVISION RECORD	DATE	ECN	DRAWN	CHECKED
 Thermalloy[*] Inc.					
TITLE				SCALE	
SOCKETS, LAMINATED - MOUNTING				NONE	
				DO NOT SCALE	
DRAWN S. JOHNSON		DATE 5-8-75		SIZE	MATERIAL
CHECKED S. JOHNSON		DATE 5-8-75		A	SEE 2.0
APPROVED		DATE		TYPE	
				SD	
EXCEPT AS NOTED DIMENSIONS ARE IN INCHES		ORIGINATING ECN		CODE IDENT NO. 13103	
TOLERANCES: $\pm .015 (.38)$ $\pm .10$		2655		DRAWING NUMBER	
				11692 thru 11695	
				REV	
				J	

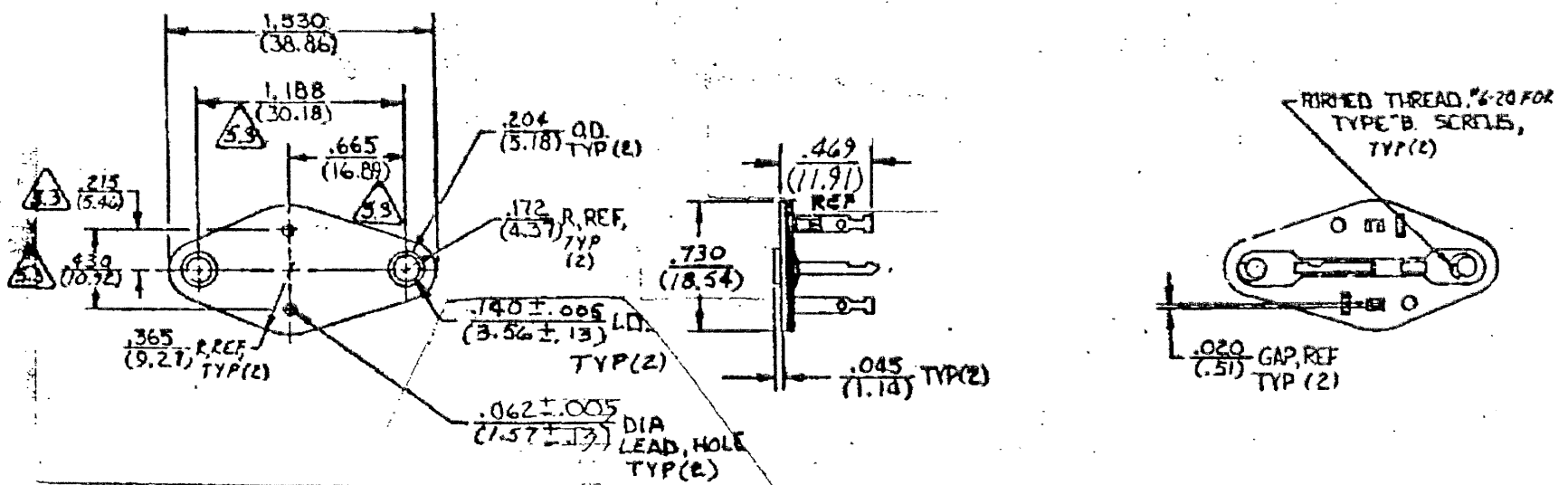


FIGURE 1

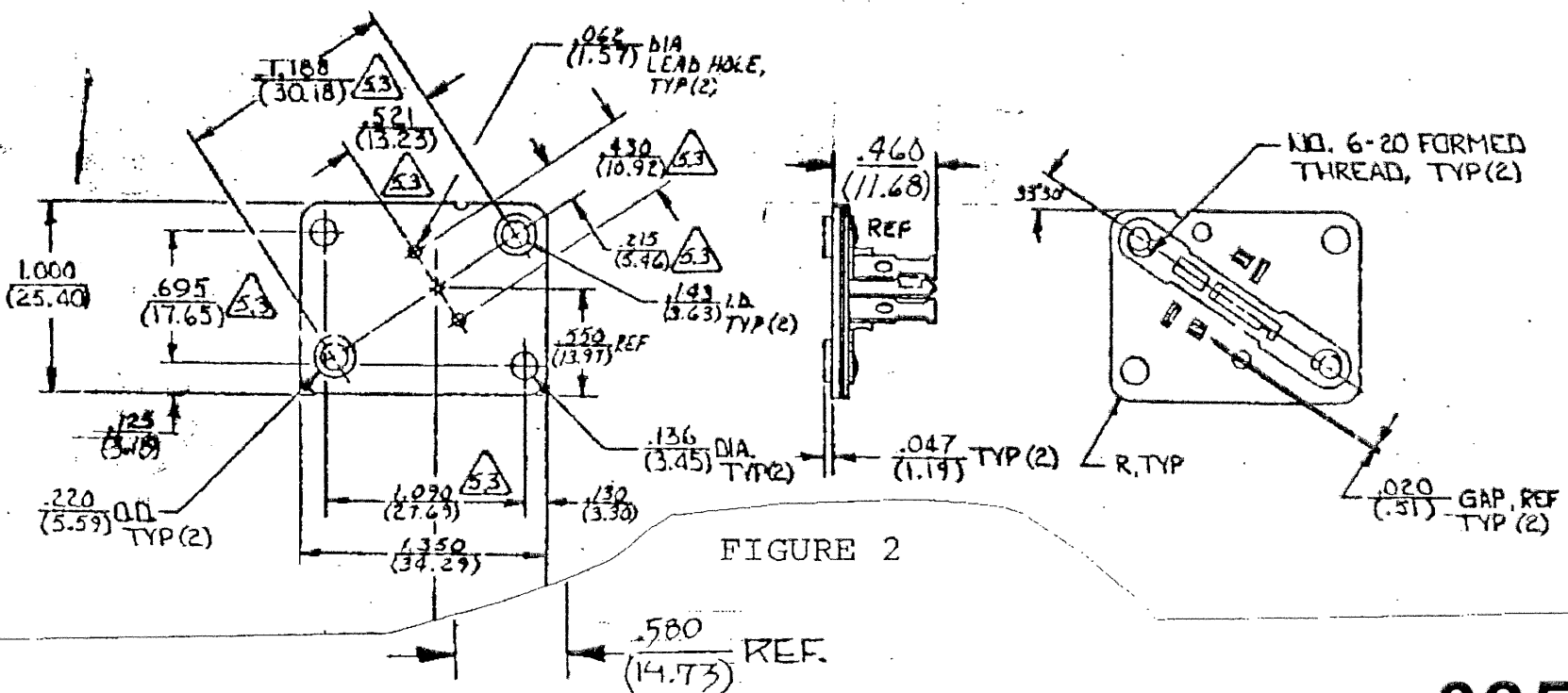


FIGURE 2

SEE SHEET 1

035075

SYM	REVISION RECORD	DATE	ECN	DRAWN	CHECKED
TITLE					SCALE
SOCKETS, LAMINATED - MOUNTING					NONE DO NOT SCALE
DRAWN <i>S. Johnson</i> DATE 5-8-75			MATERIAL		
CHECKED <i>S. Johnson</i> DATE 5-8-75			SEE 2.0		
APPROVED		DATE			
EXCEPT AS NOTED DIMENSIONS ARE IN INCHES TOLERANCES $\pm .015$ (.38) $\pm 1^0$		ORIGINATING ECN OR ENGINEERING ORDER 2655		SIZE A	TYPE SD
DRAWING NUMBER 11692 thru 11695				REV J	

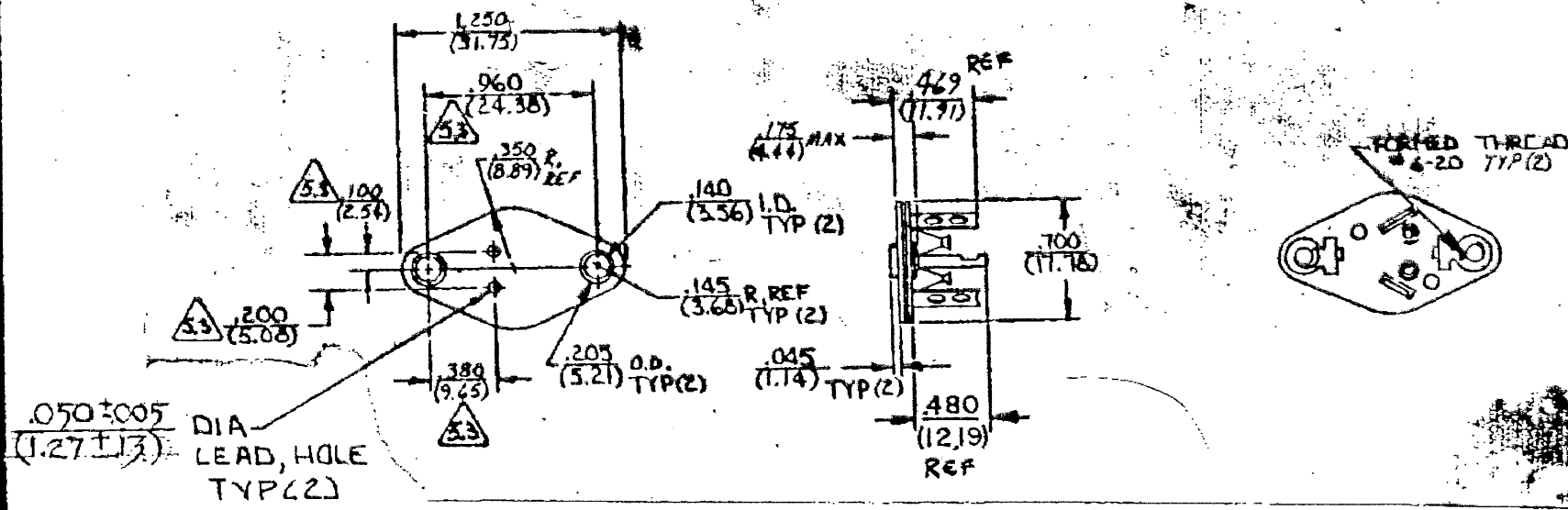


FIGURE 3

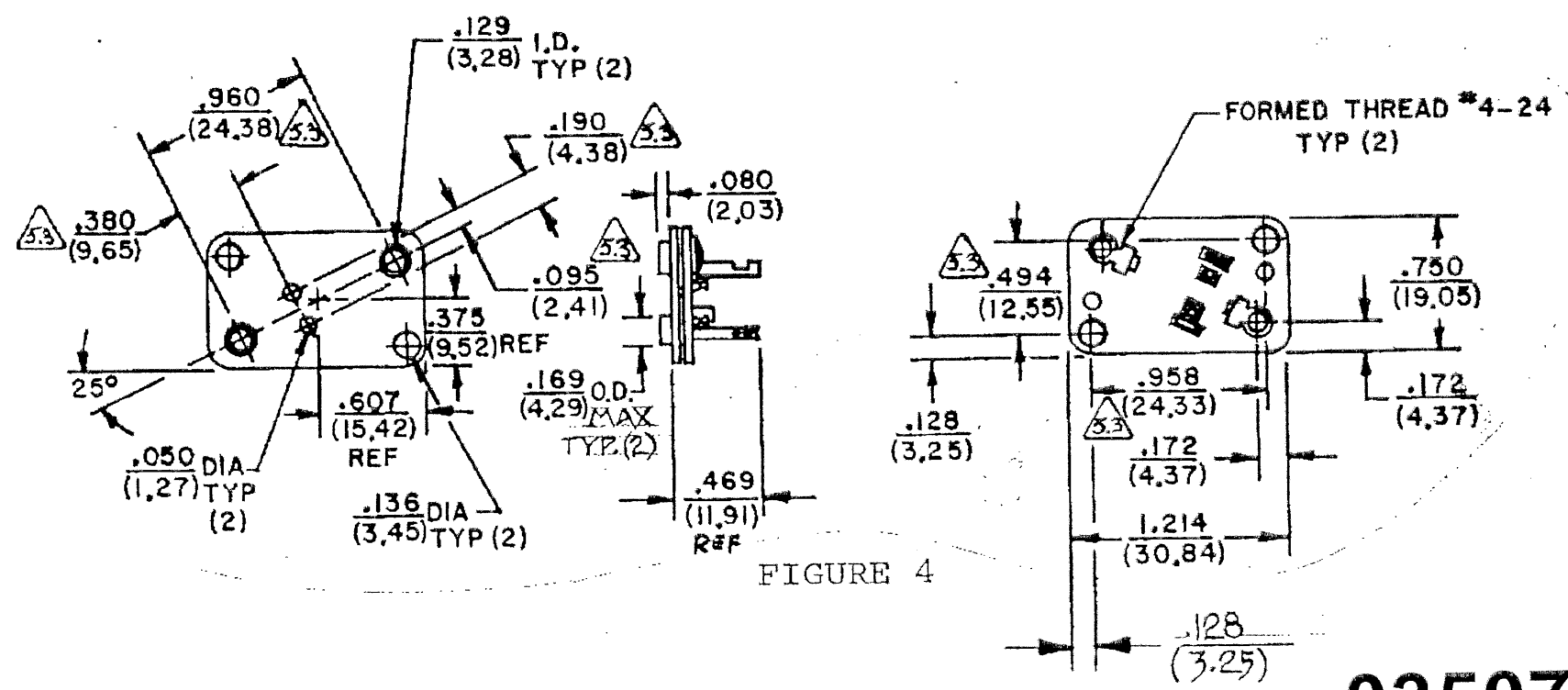


FIGURE 4

SEE SHEET 1

035075

SYM	REVISION RECORD	DATE	ECN	DRAWN	CHECKED
TITLE					SCALE
SOCKETS, LAMINATED - MOUNTING					NONE DO NOT SCALE
DRAWN <i>L. Johnson</i>		DATE 5-8-75		MATERIAL	
CHECKED <i>L. Johnson</i>		DATE 5-8-75		SEE 2.0	
APPROVED			DATE		
EXCEPT AS NOTED DIMENSIONS ARE IN INCHES TOLERANCES $\pm .015$ (.38) $\pm 1^{\circ}$			ORIGINATING ECN OR ENGINEERING ORDER 2655		SIZE A TYPE SD DRAWING NUMBER 11692 thru 11695 REV J